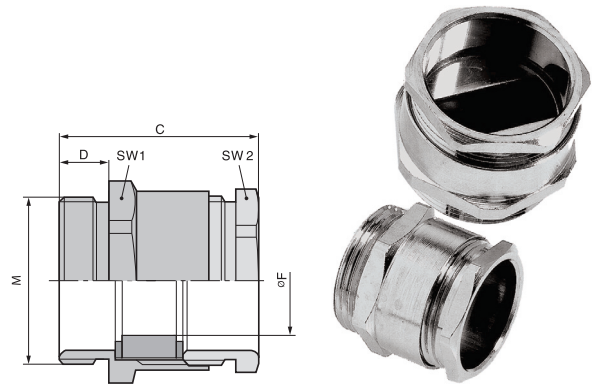


**SKINDICHT® SVF-M**



SKINDICHT® SVF-M

**Benefits**

- Lateral sealing lips fit automatically around various cable dimensions
- Cable-specific seal dimensions are no longer necessary
- Large clear opening allows clamping of up to two flat cables
- Optimal strain relief
- Dimensional adaptability

**Application range**

- For inserting of flat cables.
- Switch cabinet building
- Conveyor systems
- Pumps
- Elevators

**Approvals (Norm references)**



**Design**

- Metric connection thread acc. to EN 50262

**Note**

- For suitable flat cables, see ÖLFLEX® LIFT F for indoor applications or ÖLFLEX® CRANE F for outdoor applications
- Counter nut to be used SKINDICHT® SM-M

**Technical data**

**Caution**  
 Installation dimensions see Appendix T21

**Material**  
 Body: Nickel plated brass  
 Seal: CR

**Range of temperature**  
 -30°C up to +100°C

Part number	Part designation / size	Flat cable width min./ max.	Min./ max. cable thickness in mm	Pieces / PU
<b>SKINDICHT® SVF-M</b>				
52107320	M 20/16	- / 15.0	- / 5	25
52107340	M 25/21	9.0 / 20.0	3 / 8	25
52107350	M 32/29	14.0 / 27.0	4 / 11	10
52107360	M 40/36	24.0 / 34.0	4 / 11	10
52107370	M 50/42	29.0 / 44.0	5 / 12	5
52107380	M 63/48	34.0 / 50.0	5 / 12	5

ÖLFLEX®  
 UNITRONIC®  
 ETHERLINE®  
 HITRONIC®  
 EPIC®  
 SKINTOP®  
 SILVYN®  
 FLEXIMARK®  
 ACCESSORIES  
 APPENDIX